

4 MP 32 × IR Network Speed Dome



4 MP 32 × IR Network Speed Dome adopts 1/2.8" progressive scan CMOS chip. With the 32 × optical zoom lens, the camera offers more details over expansive areas. This series of cameras can be widely used for wide ranges of high-definition, such as rivers, roads, railways, airports, squares, parks, scenic spots, and venues, etc.

- Captures a large area and great details at the same time
- High quality imaging with 4 MP resolution
- Excellent low-light performance with powered-by-DarkFighter technology
- Secures an expansive area with 32 × optical zoom and 16 × digital zoom
- Supports WDR, HLC, BLC, 3D DNR, defog, regional exposure, regional focus, rapid focus
- Expansive night view with up to 200 m IR distance
- Supports 24 VAC & Hi-PoE
- Active strobe light and audio alarm to warn intruders off

▪ DORI

The DORI (detect, observe, recognize, identify) distance gives the general idea of the camera ability to distinguish persons or objects within its field of view. It is calculated based on the camera sensor specification and the criteria given by EN 62676-4: 2015.

DORI	Detect	Observe	Recognize	Identify
Definition	25 px/m	63 px/m	125 px/m	250 px/m
Distance (Tele)	3060.0 m (10039.4 ft)	1214.3 m (3983.9 ft)	612.0 m (2007.9 ft)	306.0 m (1004.0ft)

▪ Specification

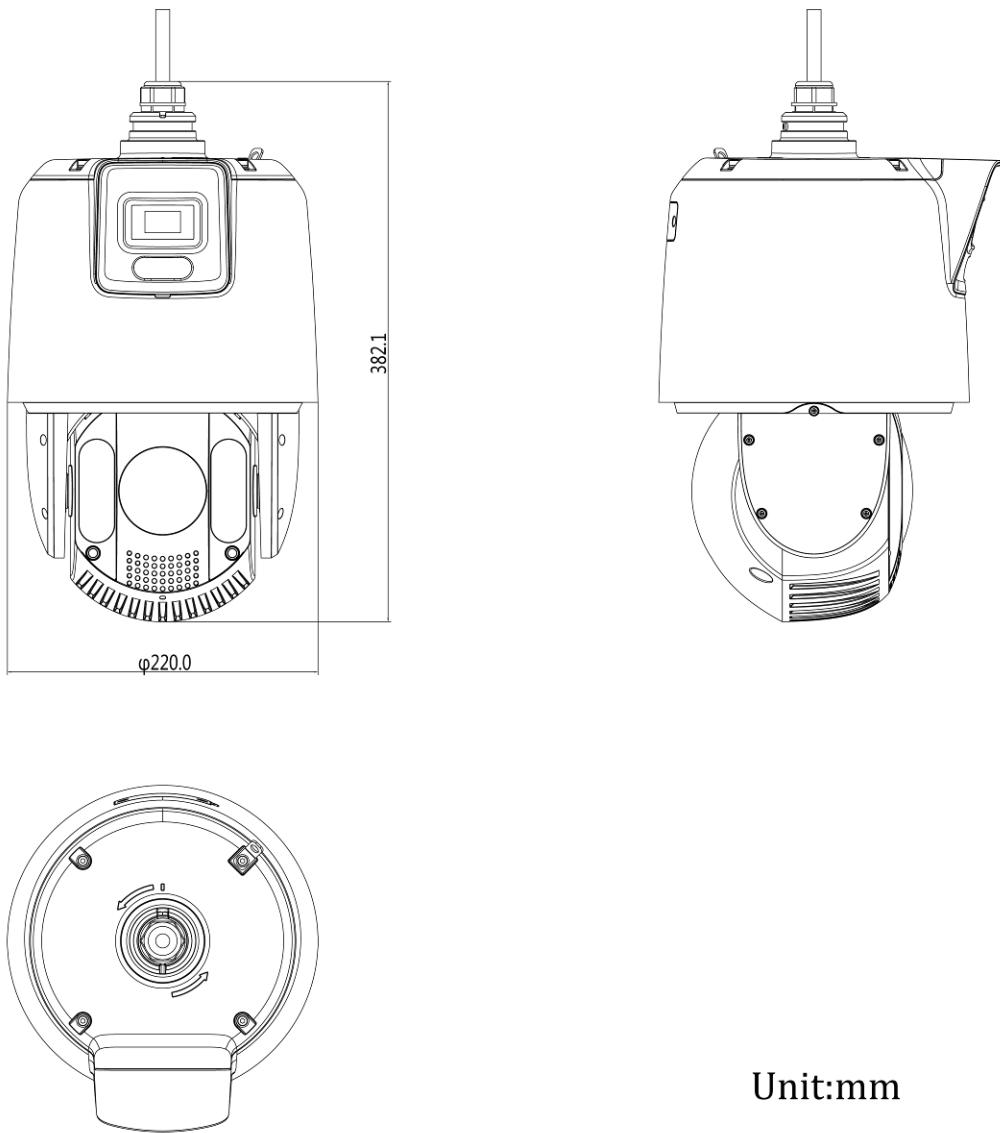
Camera	
Image Sensor	[Bullet channel]: 1/1.8" Progressive Scan CMOS; [PTZ channel]: 1/1.8" progressive scan CMOS
Min. Illumination	[Bullet channel]: 0.0005 Lux @ (F1.0, AGC ON), 0 Lux with light; [PTZ channel]: Color: 0.005 Lux @ (F1.5, AGC ON), B/W: 0.001 Lux @ (F1.5, AGC ON), 0 Lux with IR
Shutter Speed	1 s to 1/30,000 s
Slow Shutter	Yes
Focus	semi-auto, manual, auto
Day & Night	ICR
Day/Night Switch	day, night, auto, scheduled-switch
BLC	Yes
WDR	120 dB WDR
HLC	Yes
3D DNR	Yes
Defog	Yes
EIS	Yes
Regional Exposure	Yes
Regional Focus	Yes
Image Settings	saturation, brightness, contrast, sharpness
Image Parameters Switch	[Bullet channel]: yes; [PTZ channel]: yes
White Balance	auto, ATW, sodium lamp, fluorescent lamp, indoor, outdoor, MWB, Locked WB
Zoom	[PTZ channel] 32 × optical, 16 × digital
Privacy Mask	polygon region, mosaic mask, mask color configurable, [Bullet channel] 8 masks, [PTZ channel] 24 masks
SNR	> 52dB
General Function	mirror, password protection, watermark, IP address filter
Lens	
Focal Length	[Bullet channel]: 4 mm; [PTZ channel]: 5.9 to 188.8 mm, 32 × optical
Zoom Speed	[PTZ channel]: approx. 5.6 s
FOV	[Bullet channel]: Horizontal field of view: 79°, Vertical field of view: 42.4°; [PTZ channel]: Horizontal field of view: 60.2° to 2.3° (wide-tele)
Aperture	[Bullet channel]: F1.0; [PTZ channel]: F1.5

Illuminator	
Supplement Light Type	[Bullet channel] White Light, [PTZ channel] IR
Supplement Light Range	[Bullet channel]: up to 30 m, [PTZ channel]: up to 200 m
Smart Supplement Light	Yes
PTZ	
Movement Range (Pan)	360°
Movement Range (Tilt)	-15° to 90° (auto flip)
Pan Speed	pan speed: configurable from 0.1° to 160°/s; preset speed: 240°/s
Tilt Speed	tilt speed: configurable from 0.1° to 120°/s, preset speed 200°/s
Proportional Zoom	Yes
Presets	300
Patrol Scan	8 patrols, up to 32 presets for each patrol
Pattern Scan	4 pattern scans
Power-off Memory	Yes
Park Action	preset, pattern scan, patrol scan, auto scan, tilt scan, random scan, frame scan, panorama scan
3D Positioning	Yes
PTZ Status Display	Yes
Preset Freezing	Yes
Scheduled Task	preset, pattern scan, patrol scan, auto scan, tilt scan, random scan, frame scan, panorama scan, dome reboot, dome adjust, aux output
Exception Detection	IP address conflict, HDD full, illegal login, HDD error, network disconnected
Video	
Max. Resolution	[Bullet channel]: 2560 × 1440; [PTZ channel]: 2560 × 1440
Stream Type	main stream, sub-stream, third stream
Main Stream	[Bullet channel]: 50 Hz: 25 fps (2560 × 1440, 1920 × 1080, 1280 × 960, 1280 × 720) 60 Hz: 30 fps (2560 × 1440, 1920 × 1080, 1280 × 960, 1280 × 720) [PTZ channel]: 50 Hz: 25 fps (2560 × 1440, 1920 × 1080, 1280 × 960, 1280 × 720) 60 Hz: 30 fps (2560 × 1440, 1920 × 1080, 1280 × 960, 1280 × 720)
Sub-Stream	[Bullet channel]: 50 Hz: 25 fps (704 × 576, 640 × 480, 352 × 288) 60 Hz: 30 fps (704 × 480, 640 × 480, 352 × 240) [PTZ channel]: 50 Hz: 25 fps (704 × 576, 640 × 480, 352 × 288) 60 Hz: 30 fps (704 × 480, 640 × 480, 352 × 240)
Third Stream	[Bullet channel]: 50 Hz: 25 fps (1920 × 1080, 1280 × 960, 1280 × 720, 704 × 576, 640 × 480, 352 × 288) 60 Hz: 30 fps (1920 × 1080, 1280 × 960, 1280 × 720, 704 × 480, 640 × 480, 352 × 240) [PTZ channel]: 50 Hz: 25 fps (1920 × 1080, 1280 × 960, 1280 × 720, 704 × 576, 640 × 480, 352 × 288) 60 Hz: 30 fps (1920 × 1080, 1280 × 960, 1280 × 720, 704 × 480, 640 × 480, 352 × 240)
Video Compression	H.265, H.264, MJPEG
Video Bit Rate	32 kbps to 16384 kbps

H.264 Type	baseline profile, main profile, high profile
H.265 Type	main profile
H.264+	Yes
H.265+	Yes
SVC	Yes
ROI	Main stream, sub-stream and third stream respectively support eight fixed areas
Audio	
Audio Compression	G.711, G.722.1, G.726, MP2L2, PCM
Audio Bit rate	32 to 192 Kbps (MP2L2)
Audio Sampling Rate	8 kHz, 16 kHz, 32 kHz, 48 kHz
Environment Noise Filtering	Yes
Smart Features	
Face Capture	[Bullet channel] no [PTZ channel] yes
Basic Event	[PTZ channel] motion detection, video tampering alarm [PTZ channel & bullet channel] alarm input, alarm output, exception
Smart Event	[Bullet channel] intrusion detection, line crossing detection, region entrance detection, region exiting detection, audio exception detection [PTZ channel] intrusion detection, line crossing detection, region entrance detection, region exiting detection, audio exception detection
Auto Tracking	[PTZ channel] yes
Smart Linkage	Manual tracking, auto tracking, tracking takeover, track in turn
Smart Record	ANR, Dual-VCA
Alarm Linkage	[Bullet channel] Upload to FTP/NAS/memory card, notify surveillance center, send email, trigger alarm output, trigger recording, audible warning, white light flashing [PTZ channel] Upload to FTP/NAS/memory card, notify surveillance center, send email, trigger alarm output, trigger recording, audible warning, white light flashing, and PTZ actions (such as preset, patrol scan, pattern scan)
Warning and Alert	white light and audible warning
Network	
Network Storage	NAS (NFS, SMB/ CIFS), ANR
Protocols	IPv4/IPv6, HTTP, HTTPS, 802.1x, QoS, FTP, SMTP, UPnP, SNMP, DNS, DDNS, NTP, RTSP, RTCP, RTP, TCP/IP, UDP, IGMP, ICMP, DHCP, PPPoE, Bonjour
API	Open-ended API, Open Network Video Interface (Profile S, Profile G), ISAPI, Hikvision SDK, Third-party management platform, ISUP
Simultaneous Live View	20
User/Host	32
Security Measures	Authenticated username and password, MAC address binding, HTTPS encryption, 802.1X authenticated access, IP address filter
Client	iVMS-4200, Hik-Connect
Web Browser	IE 10+, Chrome 57+, Firefox 52+, Safari 12+
Interface	
Communication Interface	RJ45, self-adaptive 10M/100M Ethernet port
On-board Storage	Built-in memory card slot, support Micro SD/Micro SDHC/Micro SDXC, up to 256 GB
Alarm Input	2 alarm inputs

Alarm Output	1 alarm output
Audio Input	1 audio input, 2.0 to 2.4Vp-p, 1k Ohm±10%
Audio Output	1 audio output, line level, impedance: 600 Ω
General	
Power	24 VAC, Hi-PoE
Power Consumption and Current	Max. 42 W, including max. 2.6 W for heater and max. 11 W for supplement light
Operating Conditions	-30°C to 65°C (-22°F to 149°F), humidity lower than 90%RH
Reset	Yes
Demist	Demist by heating the glass
Material	ADC12
Dimensions	Ø 220 mm × 382.1 mm (Ø 8.66" × 15.04")
Weight	Approx. 6 kg (13.23 lb.)
Approval	
Protection	IP66 Standard, IK10 (excluding glass window), 6000 V Lightning Protection, Surge Protection and Voltage Transient Protection






▪ Dimension



Unit:mm

▪ Accessory

▪ Optional

Pendant Mount	Corner mount	Vertical pole mount	Wall mount	Installation Adaptor
				

Cardan Joint

