

Video Intercom Network Indoor Station



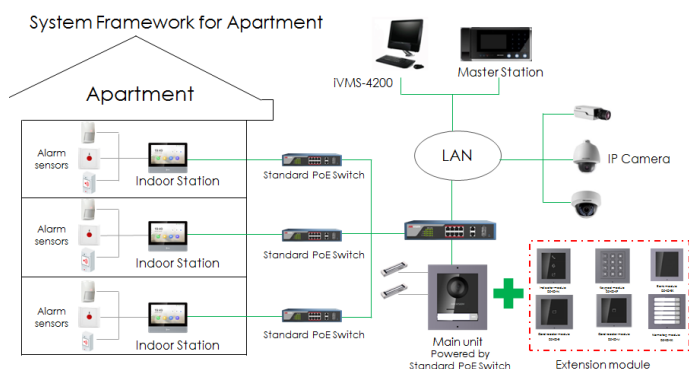
Key Feature

- New UI V2.0: User friendly design
- 10-inch colorful touch screen with resolution 1024 × 600
- Standard PoE
- Stores messages and capture pictures in the TF card
- Remote unlocking via the client software or the mobile client
- Views live videos of door stations and linked cameras
- Supports wireless network

Approval

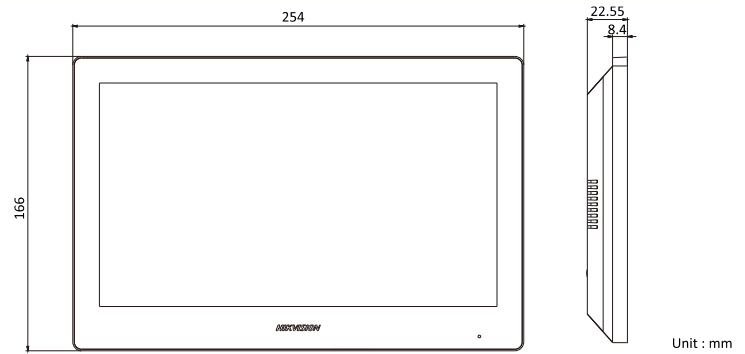
CE-EMC	a. EN 55032:2015 b. EN 61000-3-2:2014 c. EN 61000-3-3:2013 d. EN 50130-4:2011 +A1:2014
CE-LVD	EN 60950-1:2006 + A11:2009 + A1:2010 + A12:2011 + A2:2013
CE-RED	a. EN 201 489-1 V2.1.1, EN 301 489-17 V3.1.1 b. EN 300 328 V2.1.1, EN 62311:2008
CB	IEC 60950-1:2005 (Second Edition) + Am 1:2009 + Am 2:2013
FCC-SDOC	47 CFR Part 15, Subpart B
FCC-ID	47 CFR Part 15, Subpart B
C-TICK(EMC)	AS/NZS CISPR 32:2015
C-TICK(RF)	AS/NZS 4268:2017
UL	UL 60950-1 & CAN/CSA C22.2 No. 60950-1-07, Information Technology Equipment – Safety – Part 1: General Requirements
IC(EMC)	ICES-003:Issue 6
IC(RF)	RSS-247 Issue 2, February 2017, RSS-Gen Issue 5, April 2018
ROHS	2011/65/EU
REACH	Regulation (EC) No 1907/2006
WEEE	2012/19/EU

Typical Application

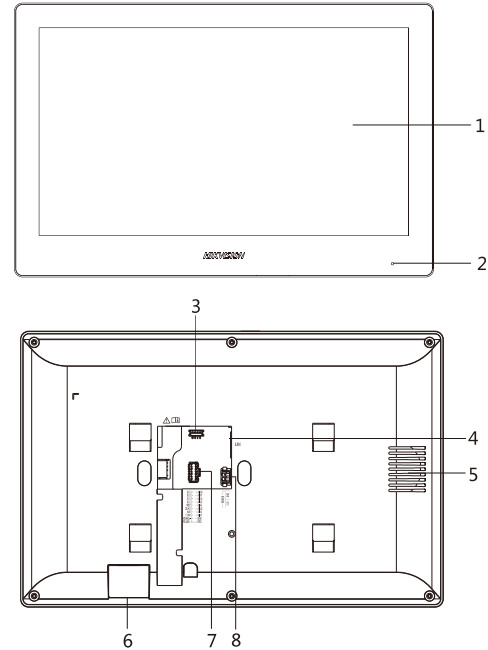


Specification

System parameters	
Memory	128 MB
Flash	32 MB
Operation system	Embedded Linux operation system
Display parameters	
Display screen	10.1-inch colorful TFT screen
Display resolution	1024 × 600
Operation method	Capacitive touch screen
Audio parameters	
Audio input	Built-in omnidirectional microphone
Audio output	Built-in loudspeaker
Audio compression standard	G.711 U
Audio compression rate	64 Kbps
Audio quality	Noise suppression and echo cancellation
Network parameters	
Wired network	10/100 Mbps self-adaptive
Wireless network	Wi-Fi 802.11b/g/n
Network protocol	TCP/IP, SIP, RTSP
Network interface	1 RJ-45 10/100 Mbps self-adaptive
Alarm input	8-ch alarm inputs
Relay output	2
TF card	Max to 32 G, SD 2.0 or lower version
RS-485	1
General	
Power supply	IEEE802.3af, standard PoE 12 VDC/1 A
Power consumption	≤ 6 W
Working temperature	-10 °C to 55 °C (14 °F to 131 °F)
Working humidity	10% to 90%
Material	PC + ABS
Dimensions	254 mm × 166 mm × 22.55 mm (10.0" × 6.5" × 0.89")
Weight	1118 g (with packaging) 660 g (without packaging)



Appearance and Interfaces



No.	Description	No.	Description
1	Screen	5	Loudspeaker
2	Microphone	6	SD Card Slot
3	Debug Port	7	Alarm Terminal
4	Network Interface	8	Power Supply

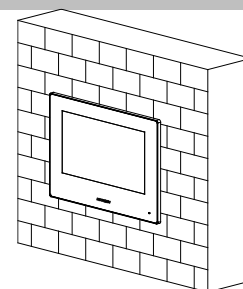
Accessory

Included

Screw Package

2_KA4×22-SUS

Installation



Surface Mounting

Dimension