

## IPC-T259H 5 MP ColorVu Lite Fixed Turret Network Camera

ColorVu Lite



- High quality imaging with 5 MP resolution
- Excellent low-light performance
- Efficient H.265+ compression technology
- Water and dust resistant (IP67)
- 24/7 colorful imaging

### ColorVu Lite

ColorVu Lite series are the economic products with ColorVu technology. Hikvision ColorVu technology provides 24/7 vivid colorful images with F1.0 advanced lenses, high performance sensors and friendly lighting. F1.0 super-aperture collects more light to produce brighter images. Advanced sensor technology can vastly improve the utilization of available light. In zero-light scenarios, built-in, warm supplemental lighting works to guarantee colorful images.

## ▪ Specification

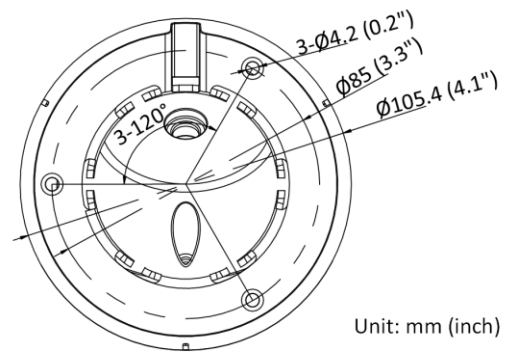
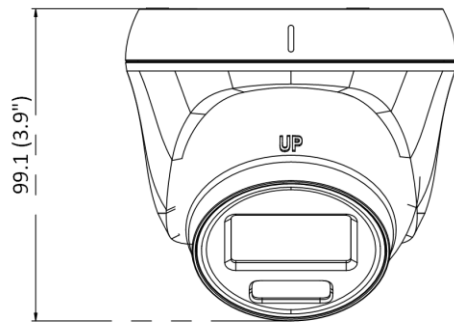
Camera	
Image Sensor	1/2.7" Progressive Scan CMOS
Min. Illumination	Color: 0.001 Lux @ (F1.0, AGC ON)
Shutter Speed	1/3 s to 1/100,000 s
Slow Shutter	Yes
Angle Adjustment	Pan: 0° to 360°, tilt: 0° to 75°, rotate: 0° to 360°
P/N	P/N
Wide Dynamic Range	120 dB
Lens	
Lens Type & FOV	2.8 mm, horizontal FOV 102°, vertical FOV 54°, diagonal FOV 121° 4 mm, horizontal FOV 80°, vertical FOV 43°, diagonal FOV 95°
Aperture	F1.0
Lens Mount	M12
Aperture Type	Fixed
Depth of Focus	2.8 mm: 3.1 m to ∞ 4 mm: 3.6 m to ∞
Illuminator	
Smart Supplement Light	Yes
Supplement Light	White
White Light Range	Up to 30 m
Video	
Main Stream	50Hz: 12.5fps (2560 × 1920), 20fps (2560 × 1440), 25fps (2304 × 1296, 1920 × 1280, 1280 × 720) 60Hz: 15fps (2560 × 1920), 20fps (2560 × 1440), 30fps (2304 × 1296, 1920 × 1280, 1280 × 720)
Sub Stream	50Hz: 25 fps (640 × 480, 640 × 360, 320 × 240) 60Hz: 30 fps (640 × 480, 640 × 360, 320 × 240) * Note: The frame rate of the sub-stream cannot exceed the maximum frame rate of the current main stream.
Video Compression	Main stream: H.265+/H.265/H.264+/H.264 Sub-stream: H.265/H.264/MJPEG
Video Bit Rate	32 Kbps to 8 Mbps
H.264 Type	Baseline Profile/Main Profile/High Profile
H.265 Type	Main Profile
Region of Interest (ROI)	1 fixed region for main stream
Network	
Simultaneous Live View	Up to 6 channels
API	ONVIF (PROFILE S), ISAPI, SDK
Protocols	TCP/IP, ICMP, HTTP, FTP, DHCP, DNS, DDNS, RTP, RTSP, RTCP, NTP, UPnP, SMTP, IGMP, QoS, IPv6, UDP, Bonjour, SSL/TLS
User/Host	Up to 32 users. 3 user levels: administrator, operator and user
Security	Password protection, complicated password, HTTPS encryption, IP address filter, security audit log, basic and digest authentication for HTTP/HTTPS, TLS 1.2, WSSE and digest authentication for ONVIF

Client	HiLookVision PC Client, HiLookVision App
Web Browser	Plug-in required live view: IE 10, IE 11 Local service: Chrome 57.0+, Firefox 52.0+
<b>Image</b>	
Day/Night Switch	Day, Night, Auto, Schedule
Image Enhancement	BLC, HLC, 3D DNR
Image Settings	Saturation, brightness, contrast, sharpness, gain, white balance adjustable by client software or web browser
<b>Interface</b>	
Communication Interface	1 RJ45 10M/100M self-adaptive Ethernet port
<b>Intelligent (Traditional Algorithm)</b>	
Basic Event	Motion detection, exception (illegal login)
<b>General</b>	
Linkage Method	Upload to FTP/NAS, notify surveillance center, send email, trigger recording, trigger capture
Web Client Language	2 languages English and Ukraine
General Function	Anti-flicker, heartbeat, mirror, privacy masks, password reset via e-mail
Software Reset	Reset via web browser and client software
Storage Conditions	-30 °C to 60 °C (-22 °F to 140 °F). Humidity 95% or less (non-condensing)
Startup and Operating Conditions	-30 °C to 60 °C (-22 °F to 140 °F). Humidity 95% or less (non-condensing)
Power Supply	12 VDC ± 25%, PoE: 802.3af, Type 1 Class 3, reverse polarity protection
Power Consumption and Current	12 VDC, 0.37 A, max. 4.5 W PoE (802.3af, 36 V to 57 V), 0.13 A to 0.08 A, max. 4.5 W
Power Interface	Ø5.5 mm coaxial power plug
Material	Main body: metal; enclosure: plastic
Camera Dimension	Ø105.4 × 99.1 mm (Ø4.1" × 3.9")
Package Dimension	150 × 150 × 141 mm (5.9" × 5.9" × 5.6")
Camera Weight	Approx. 360 g (0.8 lb.)
With Package Weight	Approx. 566 g (1.2 lb.)
<b>Approval</b>	
EMC	FCC (47 CFR Part 15, Subpart B); CE-EMC (EN 55032: 2015, EN 61000-3-2: 2014, EN 61000-3-3: 2013, EN 50130-4: 2011 +A1: 2014); RCM (AS/NZS CISPR 32: 2015); IC (ICES-003: Issue 6, 2016); KC (KN 32: 2015, KN 35: 2015)
Safety	UL (UL 60950-1); CB (IEC 60950-1:2005 + Am 1:2009 + Am 2:2013, IEC 62368-1:2014); CE-LVD (EN 60950-1:2005 + Am 1:2009 + Am 2:2013, IEC 62368-1:2014)
Environment	CE-RoHS (2011/65/EU); WEEE (2012/19/EU); Reach (Regulation (EC) No 1907/2006)
Protection	Ingression protection: IP67 (IEC 60529-2013)

## ▪ Available Model

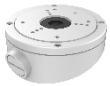
IPC-T249H(2.8 mm, 4 mm)

## ▪ Dimension



Unit: mm (inch)

## ▪ Accessory



HIA-J201

Inclined Ceiling  
Mount



HIA-J102

Junction Box



HIA-B201

Corner Mount



HIA-B301

Vertical Pole Mount



HIA-B401-110T

Wall Mount